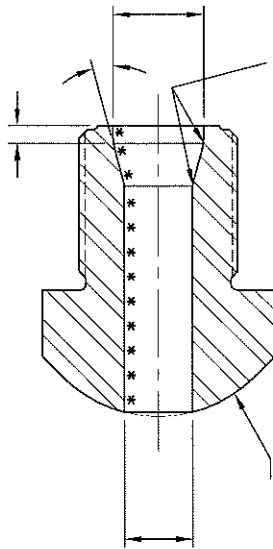
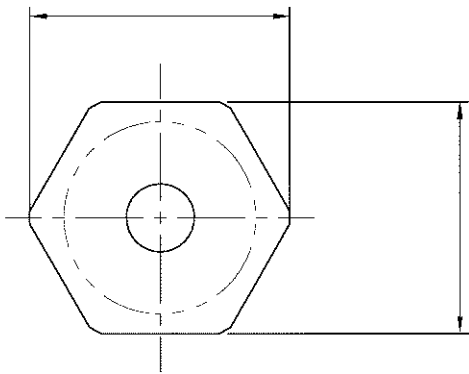
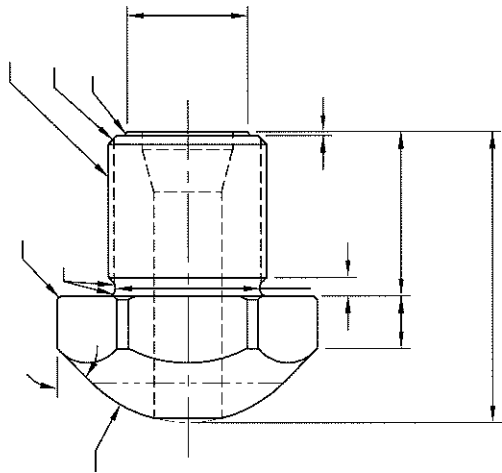


4

3

2

1



\*\* = CHROME PLATE THIS SURFACE .0008/.0012 PER SIDE AND POLISH

4

3

2

1

D

C

B

A

