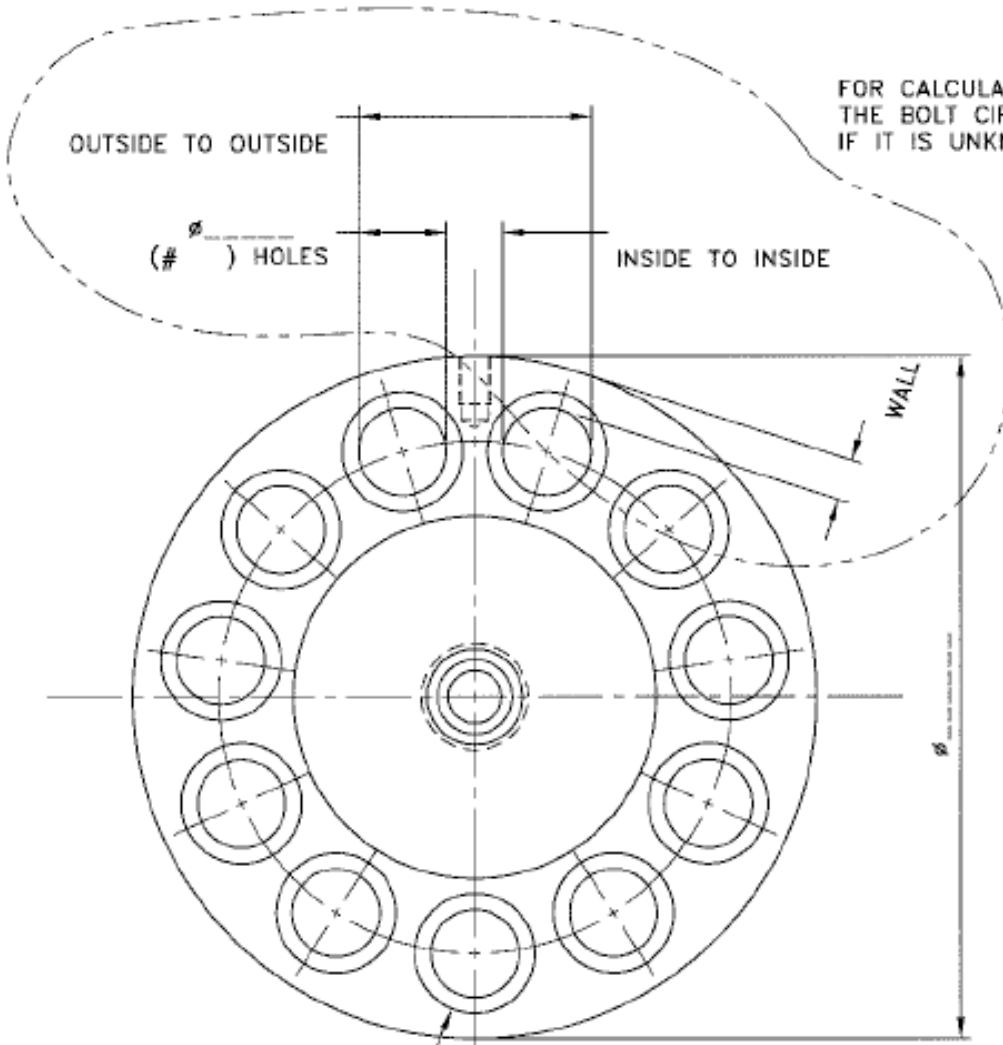
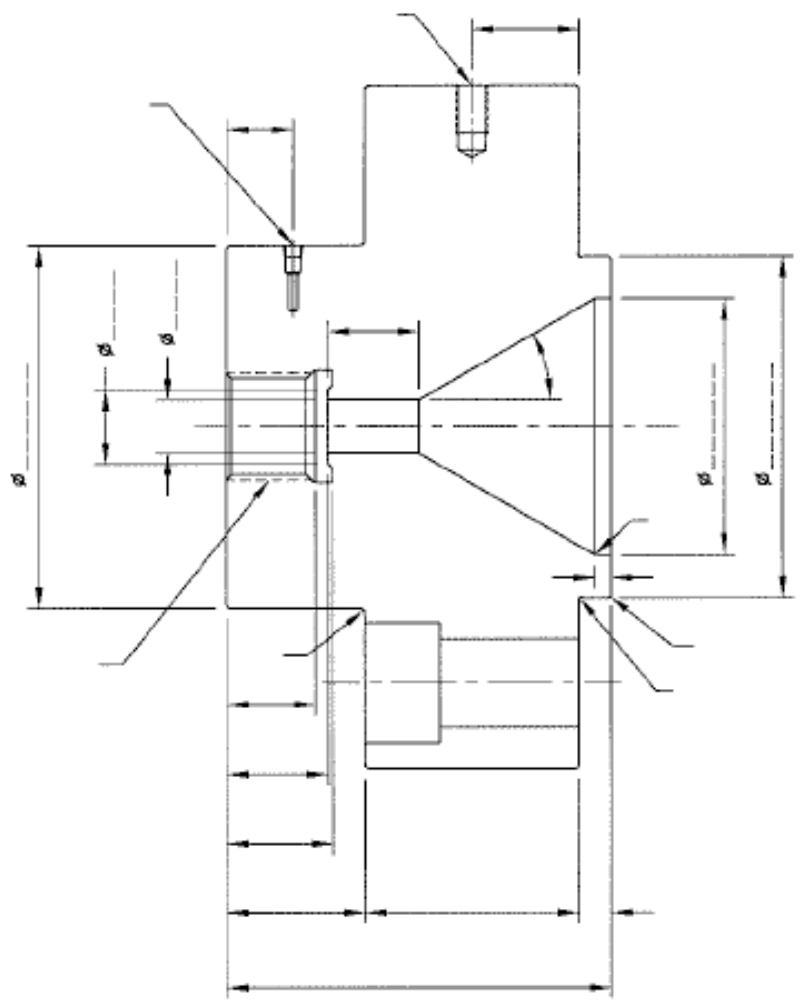


FOR CALCULATING
THE BOLT CIRCLE
IF IT IS UNKNOWN.



ϕ _____ THRU
 ϕ _____ C'BORE, _____ DP
 _____ HOLES EQ. SP.
 ON ϕ _____ B.C.



WHICH WAY IS UP?
GAP OR HOLE?